

SECTION 11110**TUMBLE DRYER, 30 LB. (13.6 KG) CAPACITY****PART 1 GENERAL**

1.01 SECTION INCLUDES:

- A. Automatic laundry dryer for processing water-washed linen items

1.02 SYSTEM DESCRIPTION

A. DESIGN REQUIREMENTS:

- 1. Dry weight capacity: 30 lb. (13.6 kg)
- 2. Cylinder volume: 9.57 cu ft (270992 cu cm) minimum
- 3. Construction: Heavy duty embossed steel with e-coat and baked enamel powder paint
- 4. Input voltage: 120/208-240/60/1
- 5. Heat source: Gas, natural, 1/2 inch (13 mm) NPT
- 6. Overall width: 28 inches (711 mm) nominal
- 7. Overall height: 63-7/8 inches (1622 mm) nominal
- 8. Overall depth: 46-7/8 inches (1191 mm) nominal
- 9. Exhaust size: 6 inch (152 mm)
- 10. Control system: Microprocessor touchpad control
- 11. Stainless steel door: High grade stainless steel door with 7/8 inch (22 mm) rubber gasket and heavy duty hinge

B. PERFORMANCE REQUIREMENTS:

- 1. BTU input: 73,000
- 2. Airflow: 500 CFM (14.2 CMM)
- 3. Motor horsepower: 1/4 hp cylinder and 1/4 hp fan
- 4. Control system
 - a. minimum of eight automatic drying cycles
 - b. ability to time dry
 - c. variable temperature settings from 120 - 180°F (49 - 82°C)
 - d. wrinkle free at cycle end allowing 2-1/2 minutes of tumble and 2-1/2 minutes of rest until door opens or maximum of one hour
- 5. Lint filter: 480 sq. inch (3097 sq. cm), self cleaning, depositing lint to large storage area at bottom of tumbler

1.03 DELIVERY, STORAGE & HANDLING

A. ACCEPTANCE AT SITE:

- 1. Inspect machine for damage prior to acceptance. If damage is found, follow freight handler's procedure for claims.

B. STORAGE & PROTECTION

- 1. Machine should be stored in a site protected from weather, direct sunlight & temperature extremes. Do not remove packaging prior to storage.

2. If machine is to be stored for an extended period of time, consult manufacturer for special requirements.

1.04 WARRANTY

- A. Warranty Period: Three years, limited, parts only, commencing on Date of Substantial completion

1.05 SYSTEM STARTUP & COMMISSIONING

- A. Machine installation should be inspected by local manufacturer's representative prior to startup & operation. The party installing the machine is responsible for setting the schedule for this inspection.

PART 2 PRODUCTS

- A. Source quality
- B. Alliance Laundry Systems LLC - UniMac, obtain commercial laundry equipment from a single manufacturer

1.02 QUALIFIED MODELS

- A. UniMac model **UT030NOM** (no substitutions permitted)

PART 3 EXECUTION

1.01 INSTALLATION

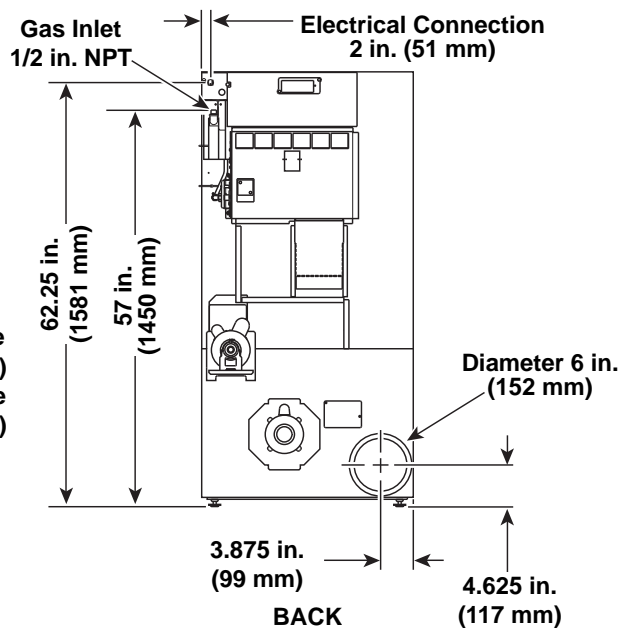
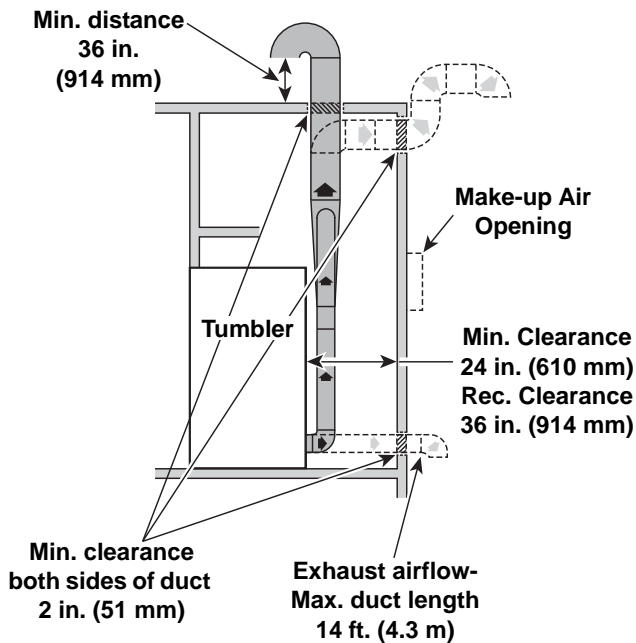
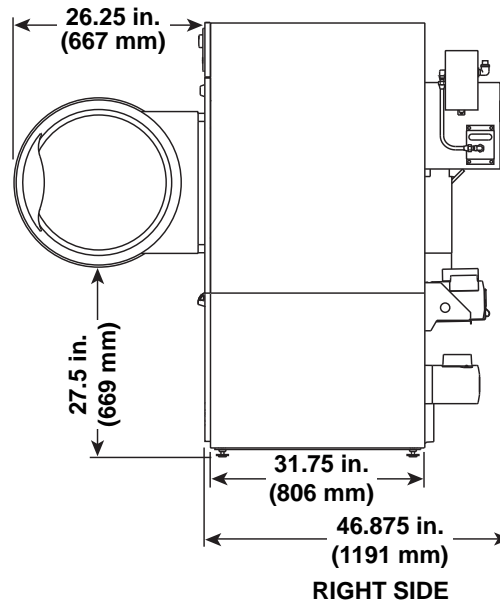
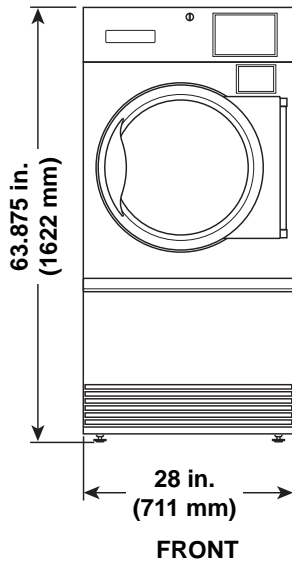
- A. Refer to & comply with manufacturer's installation instructions. Do not deviate without permission from site owner, architect, general contractor & manufacturer's local representative.

Machine Dimensions and Specifications

Models UT030L and UT030N



Dimensions



TMB28F

Specifications

Net Weight	330 lbs.
Make-up Air Opening	110 sq. in.
Maximum Airflow per Pocket: C.F.M.	500
Maximum Static Back Pressure: Inches W.C.	0.8
Gas Burner Rating:	73,000 Btu/hr

Electrical Specifications

Code	Voltage	Cycle	Phase	Wire	Full Load Amps	Fuse or Breaker Rating (Amps)	Breaker Poles	AWG
B2	120	60	1	2/3	12	15	1	14
F6	200-208, 240	60	3	3	3.2	10*	3	14
G2	208-240	60	1	2/3	6.7	10	2	14
Q1	460-480	60	3	3	1.6	10*	3	14

* 3 Phase machines should not have fuses, breakers only.